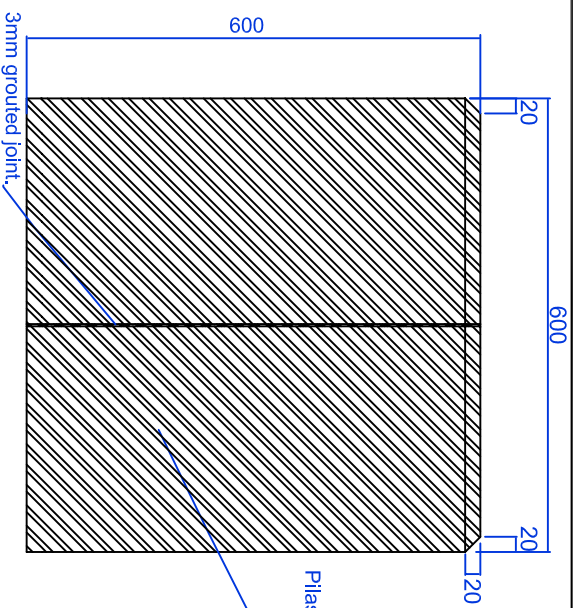
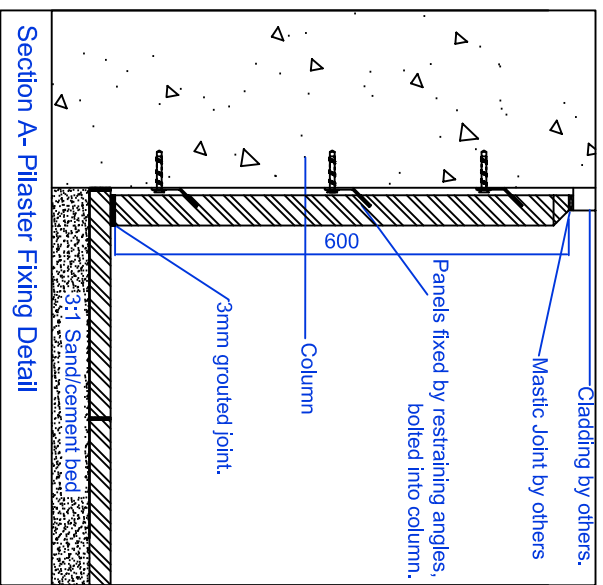


Plan Section




Elevation



Section A - Plaster Fixing Detail

Pre-cast Terrazzo Plaster Cladding Units:

The above design is an indication of the range and versatility of terrazzo. Pre-cast terrazzo cladding units can be produced to bespoke designs to suit site-specific requirements. Lengths, widths, thicknesses etc. can be calibrated to required dimensions. The units can be cast to colour-match a chosen design or an existing finish.

	TITLE:	Pre-cast Terrazzo Plaster Cladding to Column Base	
	TYPE:	General Details	
DWG No:	KT/PC/001	AUTHOR:	Kengate Terrazzo
SCALE:	1:10 @ A4		
Tel: 01932 568 672			